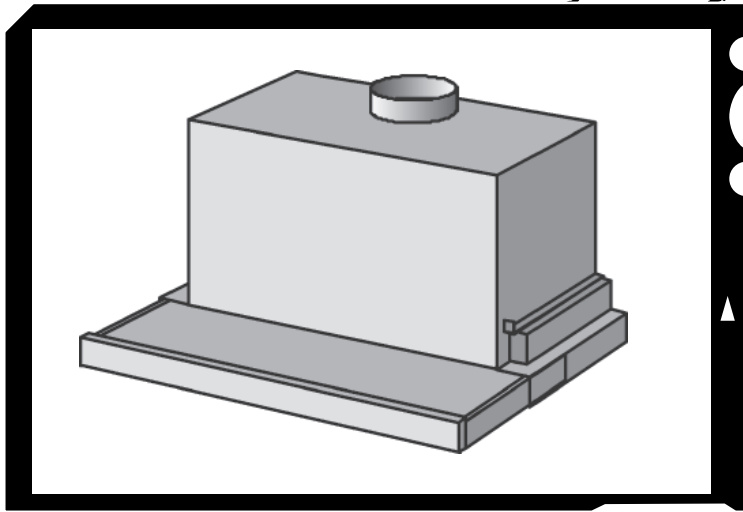


BROAN[®] *Elite*



E12000 Series

ENGLISH.....	2
FRANÇAIS.....	12
ESPAÑOL.....	22

READ AND SAVE THESE INSTRUCTIONS

 **INTENDED FOR DOMESTIC COOKING ONLY** 

WARNING

TO REDUCE THE RISK OF FIRE, ELECTRIC SHOCK, OR INJURY TO PERSONS, OBSERVE THE FOLLOWING:

1. Use this unit only in the manner intended by the manufacturer. If you have questions, contact the manufacturer at the address or telephone number listed in the warranty.
2. Before servicing or cleaning unit, switch power off at service panel and lock service panel to prevent power from being switched on accidentally. When the service disconnecting means cannot be locked, securely fasten a prominent warning device, such as a tag, to the service panel.
3. Installation work and electrical wiring must be done by a qualified person(s) in accordance with all applicable codes and standards, including fire-rated construction codes and standards.
4. Sufficient air is needed for proper combustion and exhausting of gases through the flue (chimney) of fuel burning equipment to prevent backdrafting. Follow the heating equipment manufacturer's guidelines and safety standards such as those published by the National Fire Protection Association (NFPA), and the American Society for Heating, Refrigeration and Air Conditioning Engineers (ASHRAE), and the local code authorities.
5. When cutting or drilling into wall or ceiling, do not damage electrical wiring and other hidden utilities.
6. Ducted fans must always be vented to the outdoors.
7. Do not use this unit with any separate solid-state speed control device.
8. To reduce the risk of fire, use only metal ductwork.
9. This unit must be grounded.
10. When applicable local regulations comprise more restrictive installation and/or certification requirements, the aforementioned requirements prevail on those of this document and the installer agrees to conform to these at his own expenses.

TO REDUCE THE RISK OF A RANGE TOP GREASE FIRE:

- A. Never leave surface units unattended at high settings. Boilovers cause smoking and greasy spillovers that may ignite. Heat oils slowly on low or medium settings.
- B. Always turn hood ON when cooking at high heat or when cooking flambeing foods. (i.e. Crêpes Suzette, Cherries Jubilee, Peppercorn Beef Flambeé).
- C. Clean ventilating fans frequently. Grease should not be allowed to accumulate on fan or filter.
- D. Use proper pan size. Always use cookware appropriate for the size of the surface element.

WARNING

TO REDUCE THE RISK OF INJURY TO PERSONS IN THE EVENT OF A RANGE TOP GREASE FIRE, OBSERVE THE FOLLOWING:*

1. SMOTHER FLAMES with a close-fitting lid, cookie sheet, or metal tray, then turn off the burner. BE CAREFUL TO PREVENT BURNS. IF THE FLAMES DO NOT GO OUT IMMEDIATELY, EVACUATE AND CALL THE FIRE DEPARTMENT.
2. NEVER PICK UP A FLAMING PAN - You may be burned.
3. DO NOT USE WATER, including wet dishcloths or towels - This could cause a violent steam explosion.
4. Use an extinguisher ONLY if:
 - A. You own a Class ABC extinguisher and you know how to operate it.
 - B. The fire is small and contained in the area where it started.
 - C. The fire department has been called.
 - D. You can fight the fire with your back to an exit.

* Based on "Kitchen Fire Safety Tips" published by NFPA.

CAUTION

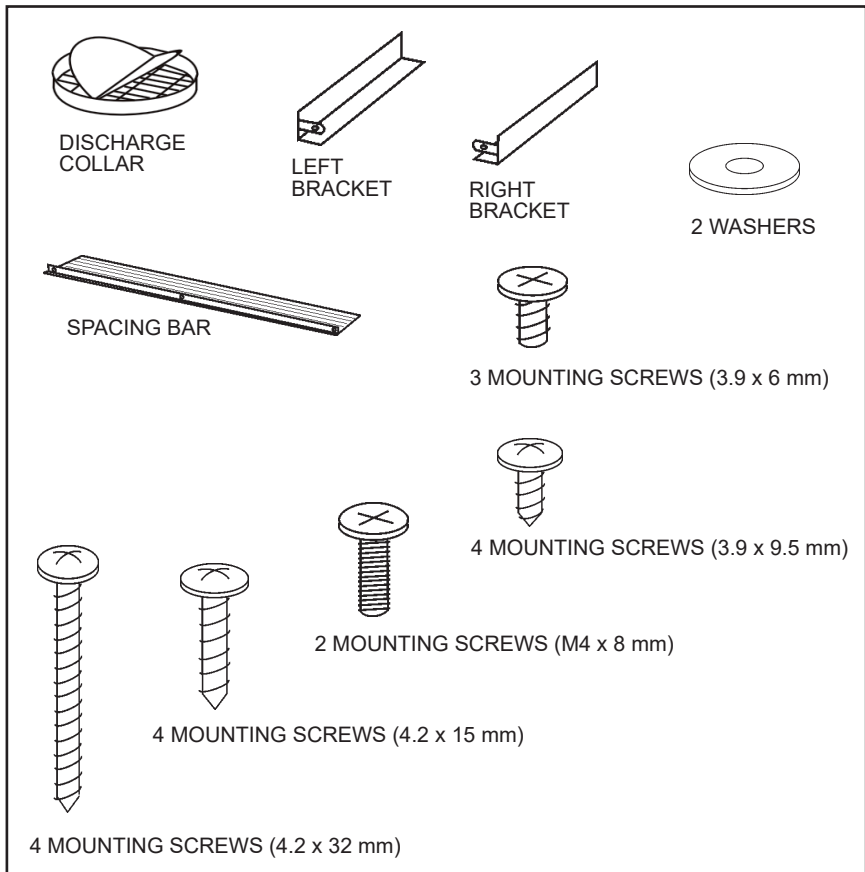
1. For indoor use only.
2. To reduce risk of fire and to properly exhaust air, be sure to duct air outside. Do not vent exhaust air into spaces within walls or ceilings or into attics, crawl spaces, or garages.
3. Take care when using cleaning agents or detergents.
4. Avoid using food products that produce flames under the Range Hood.
5. For general ventilating use only. Do not use to exhaust hazardous or explosive materials and vapors.
6. To avoid motor bearing damage and noisy and/or unbalanced impellers, keep drywall spray, construction dust, etc. off power unit.
7. Your hood motor has a thermal overload which will automatically shut off the motor if it becomes overheated. The motor will restart when it cools down. If the motor continues to shut off and restart, have the hood serviced.
8. For best capture of cooking impurities, the bottom of the hood should be a minimum of 24" and a maximum of 30" above the cooking surface.
9. Two installers are recommended because of the large size and weight of this hood.
10. Please read specification label on product for further information and requirements.
11. Automatically operated device. To reduce the risk of injury, disconnect power before servicing.
12. Do not operate any fan with a damaged cord or plug. Discard fan or return to an authorized service facility for examination and/or repair.

PREPARE THE HOOD

Unpack hood and check contents.

You should receive:

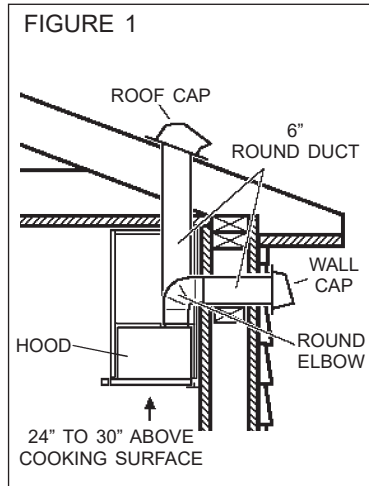
- 1 - Hood
- 1 - Parts Bag (B080810359) containing:
 - 3 - Mounting Screws (3.9 x 6 mm Flat Head)
- 1 - Parts Bag (B080810871) containing:
 - 1 - Right Bracket
 - 1 - Left Bracket
 - 2 - Mounting Screws (M4 x 8 mm)
 - 2 - Washers
 - 4 - Mounting Screws (3.9 x 9.5 mm)
 - 4 - Mounting Screws (4.2 x 15 mm)
 - 4 - Mounting Screws (4.2 x 32 mm)
 - 1 - Discharge Collar
- 1 - Spacing Bar
- 1 - Installation Instructions



INSTALL THE DUCTWORK (DUCTED HOODS ONLY)

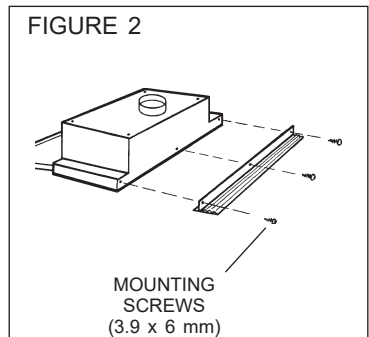
NOTE: To reduce the risk of fire, use only metal ductwork.

1. Decide where the ductwork will run between the hood and the outside.
2. A straight, short duct run will allow the hood to perform most efficiently.
3. Long duct runs, elbows, and transitions will reduce the performance of the hood. Use as few of them as possible. Larger ducting may be required for best performance with longer duct runs.
4. Install a roof or wall cap. Connect round metal ductwork to cap and work back towards hood location. Use duct tape to seal the joints between ductwork sections.



SPACING BAR INSTALLATION

To compensate possible depth voids between the appliance and the wall, a plastic SPACING BAR to be fixed at the back of the appliance by means of the three screws (3.9 x 6 mm) is included. The 3 screws to be used are contained in the accessory bag attached to the plastic spacing bar. Cut the spacing bar according to the distance to be adjusted.



WIRING

Note: This range hood must be properly grounded. The unit should be installed by a qualified electrician in accordance with all applicable national and local electrical codes.

GROUNDING INSTRUCTIONS

This appliance must be grounded. In the event of an electrical short circuit, grounding reduces the risk of electric shock by providing an escape wire for the electric current.

This appliance is equipped with a cord having a grounding wire with a grounding plug.

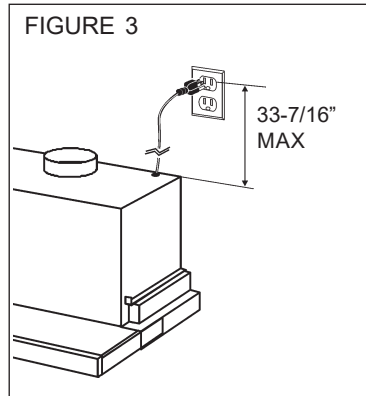
The plug must be plugged into an outlet that is properly installed and grounded.

WARNING - Improper grounding can result in a risk of electric shock.

Consult a qualified electrician if the grounding instructions are not completely understood, or if doubt exists as to whether the appliance is properly grounded.

Do not use an extension cord. If the power supply cord is too short, have a qualified electrician install an outlet near the appliance.

Position the power outlet at a maximum distance of 33-7/16" (85 cm) from where the lead exits from the hood (see Figure 3).



INSTALLATION

The hood must be installed inside a cabinet.

ATTENTION: 2 persons are required for proper installation; the unit should be installed by a qualified operator.

For the cabinet measurements, refer to Figure 4.

Installation directly to cabinet

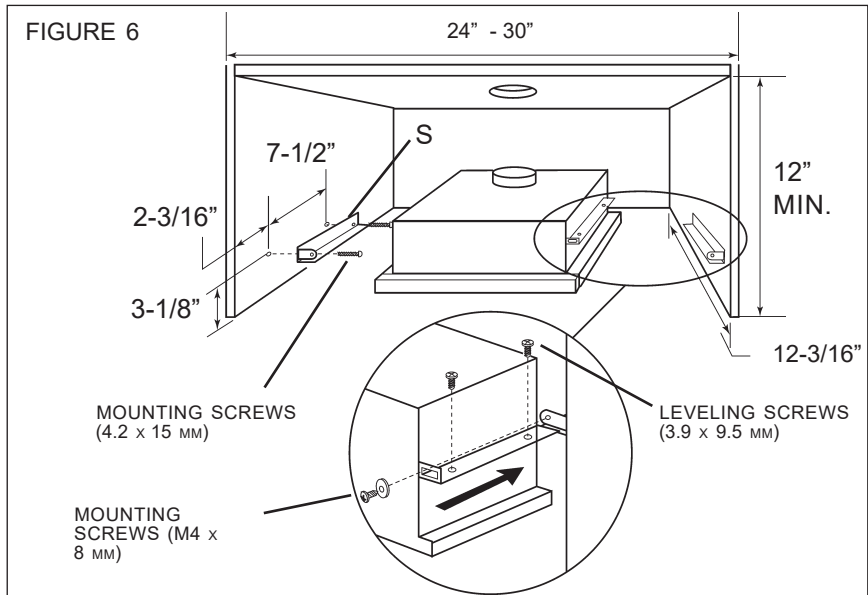
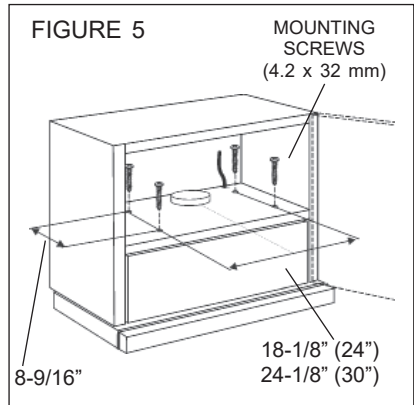
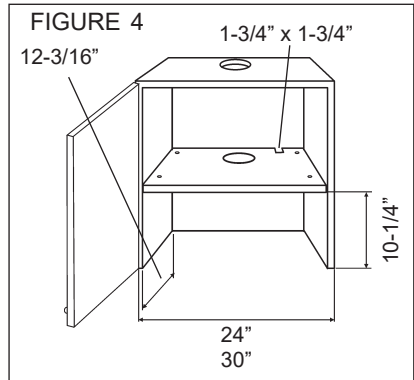
Refer to Figure 5.

1. Make the 4 necessary mounting holes in the cabinet and cut the air venting and power cord holes.
2. Move the hood close to the bottom of the cabinet and then secure the unit by means of the 4 self-tapping screws (4.2 x 32 mm) supplied.

Installation to the cabinet with brackets

Refer to Figure 6.

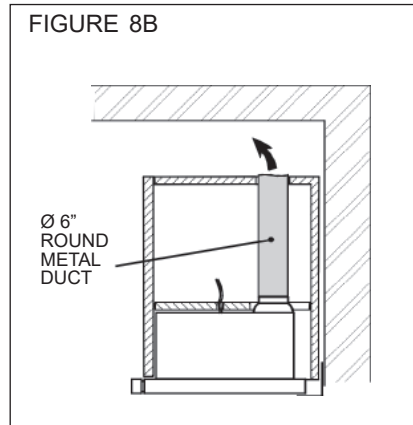
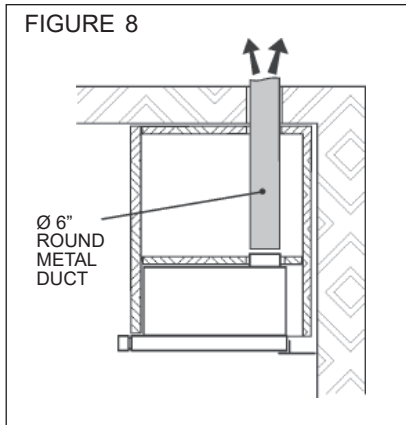
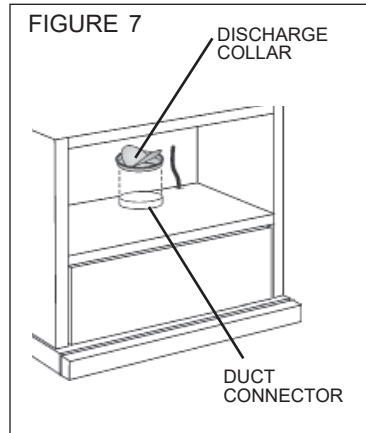
1. Take the two brackets out of the accessory bag together with the 4 screws provided (4.2 x 15 mm).
2. Fit the brackets (S) to the cabinet being careful to position these correctly.
3. Adjust the angle of the hood with the 4 leveling screws (3.9 x 9.5 mm)
4. Fasten the hood to the brackets using the 2 screws (M4 x 8 mm) and 2 washers.



CONNECT DUCTWORK

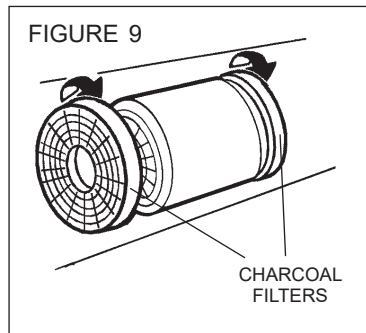
(DUCTED HOODS ONLY)

1. Install the discharge collar into the duct connector of the range hood. Fig. 7
2. Use 6" round metal duct to connect the discharge collar on the hood to the ductwork above. See Fig. 8
3. Use duct tape to make all joints secure and air tight.
4. Insert the unit plug into the power outlet.



NON-DUCTED RECIRCULATION FILTER INSTALLATION ***(NON-DUCTED HOODS ONLY)***

1. Install the discharge collar into the duct connector of the range hood. Fig. 7
2. Refer to Figure 8B. Connect a 6" round metal duct to the discharge opening so that the air is sent outside the cabinet and sent back into the room.
3. Position the filters over the blower.
4. Rotate to lock filters in place.
5. Purchase replacement filter packs (contains 2) from your dealer.
Part No. FILTEREB40.



MAINTENANCE

Proper maintenance of the Range Hood will assure proper performance of the unit.

BEFORE SERVICING OR CLEANING UNIT, SWITCH POWER OFF AT SERVICE PANEL AND LOCK SERVICE DISCONNECTING MEANS TO PREVENT POWER FROM BEING SWITCHED ON ACCIDENTALLY.

WHEN THE SERVICE DISCONNECTING MEANS CANNOT BE LOCKED, SECURELY FASTEN A PROMINENT WARNING DEVICE, SUCH AS A TAG, TO THE SERVICE PANEL.

Grease filters

The grease filters should be cleaned periodically depending upon use (approximately every two (2) months).

Use a warm detergent solution. Grease filters are dishwasher safe. Clean all-metal filters in the dishwasher using a non-phosphate detergent. Discoloration of the filter may occur if using phosphate detergent or as a result of local water conditions — but this will not affect filter performance. This discoloration is not covered by the warranty.

To remove the grease filters, push the retainer near the handle inwards and pull the filter downwards (Fig. 10); open the holder and remove the other filter in the same way.

Charcoal Filters

The charcoal filters should be changed every 6 months. Rotate the filters to remove and replace.

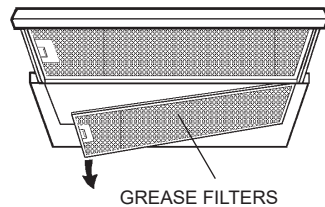
Hood Cleaning

Stainless steel is one of the easiest materials to keep clean. Occasional care will help preserve its fine appearance.

Cleaning tips:

- Hot water with soap or detergent is all that is usually needed.
- Follow all cleaning by rinsing with clear water. Wipe dry with a clean, soft cloth to avoid water marks.
- For discolorations or deposits that persist, use a non-scratching household cleanser or stainless steel polishing powder with a little water and a soft cloth.
- For stubborn cases, use a plastic scouring pad or soft bristle brush together with cleanser and water. Rub lightly in direction of polishing lines or “grain” of the stainless finish. Avoid using too much pressure which may mar the surface.
- DO NOT allow deposits to remain for long periods of time.
- DO NOT use ordinary steel wool or steel brushes. Small bits of steel may adhere to the surface causing rust.
- DO NOT allow salt solutions, disinfectants, bleaches, or cleaning compounds to remain in contact with stainless steel for extended periods. Many of these compounds contain chemicals which may be harmful. Rinse with water after exposure and wipe dry with a clean cloth.
- Surfaces should be cleaned with warm water and mild detergent only.

FIGURE 10



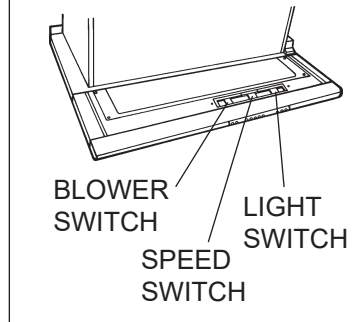
OPERATION

- **Note: Avoid using food products that produce flames under the range hood.**

Controls

1. Blower Switch
Left position (0) - blower is turned off
Right position (1) - blower is turned on and off automatically by opening and closing the canopy hood/control.
2. Speed Switch - Makes it possible to select the motor operating speed.
3. Light Switch
Central position (0) - light is turned off
Left position (AUT) - light is turned on and off automatically by opening and closing the canopy hood/control.
Right position (MAN) - light ON/OFF.

FIGURE 11



HALOGEN BULBS

This range hood requires two halogen bulbs (Type T3, 12Volt, 20Watt Max, G-4 Base).

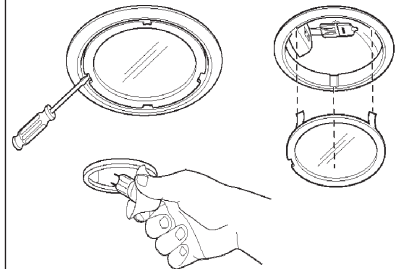
⚠ WARNING: Always switch off the electricity supply before carrying out any operations on the appliance.

1. Open the cover by prying from the proper slots. See Fig. 12.
2. Remove the bulb by pulling sideways. **(DO NOT ROTATE)**

⚠ CAUTION: Bulb may be hot.

3. Replace with Type T3, 12Volt, 20Watt Max, G-4 Base halogen bulb. **Do not touch replacement bulb with bare hands!**

FIGURE 12



WARRANTY

TWO-YEAR LIMITED WARRANTY FOR BROAN PRODUCTS

Venmar Ventilation ULC (Venmar Ventilation) warrants to the original consumer purchaser of Broan Elite products that such products will be free from defects in materials or workmanship for a period of two years from the date of original purchase.

THERE ARE NO OTHER WARRANTIES, EXPRESS OR IMPLIED, INCLUDING, BUT NOT LIMITED TO, IMPLIED WARRANTIES OR MERCHANT ABILITY OR FITNESS FOR A PARTICULAR PURPOSE.

During this two-year period, Venmar Ventilation will, at its option, repair or replace, without charge, any product or part which is found to be defective under normal use and service.

THIS WARRANTY DOES NOT EXTEND TO FLUORESCENT LAMP STARTERS, TUBES, HALOGEN AND INCANDESCENT BULBS, FUSE, FILTERS, DUCTS, ROOF CAPS, WALL CAPS AND OTHER ACCESSORIES FOR DUCTING. This warranty does not cover (a) normal maintenance and service or (b) any products or parts which have been subject to misuse, negligence, accident, improper maintenance or repair (other than by Venmar Ventilation), faulty installation or installation contrary to recommended installation instructions.

The duration of any implied warranty is limited to the two-year period as specified for the express warranty. Some provinces do not allow limitation on how long an implied warranty lasts, so the above limitation may not apply to you.

VENMAR VENTILATION'S OBLIGATION TO REPAIR OR REPLACE, AT VENMAR VENTILATION'S OPTION, SHALL BE THE PURCHASER'S SOLE AND EXCLUSIVE REMEDY UNDER THIS WARRANTY. VENMAR VENTILATION SHALL NOT BE LIABLE FOR INCIDENTAL, CONSEQUENTIAL OR SPECIAL DAMAGES ARISING OUT OF OR IN CONNECTION WITH PRODUCT USE OR PERFORMANCE. Some provinces do not allow the exclusion or limitation of incidental or consequential damages, so the above limitation or exclusion may not apply to you.

This warranty gives you specific legal rights, and you may also have other rights, which vary from provinces to provinces. This warranty supersedes all prior warranties.

To qualify for warranty service, you must (a) notify Venmar Ventilation at the address stated below or telephone number stated below, (b) give the model number and part identification and (c) describe the nature of any defect in the product or part. At the time of requesting warranty service, you must present evidence of the original purchase date.

Venmar Ventilation ULC, 550 Lemire Blvd., Drummondville, QC J2C 7W9
www.broan.ca 877-896-1119

LISEZ ET CONSERVEZ CES INSTRUCTIONS

POUR USAGE DOMESTIQUE SEULEMENT

AVERTISSEMENT

POUR RÉDUIRE LES RISQUES D'INCENDIE, D'ELECTROCUTION OU DE BLESSURES CORPORELLES, OBSERVEZ LES INSTRUCTIONS SUIVANTES :

1. N'utilisez cet appareil que de la façon prévue par le fabricant. Si vous avez des questions, contactez le fabricant à l'une des adresses ou numéros de téléphone indiqués dans la garantie.
2. Avant de nettoyer ou de réparer l'appareil, coupez le courant au panneau d'alimentation et verrouillez-en l'accès afin d'éviter sa remise en marche accidentelle. Si le panneau d'alimentation ne peut être verrouillé, apposez un avertissement bien en évidence, par exemple une étiquette de couleur vive.
3. Les travaux d'installation et de raccordement électrique doivent être effectués par du personnel qualifié en respectant les normes et règlements en vigueur, y compris les normes et codes de bâtiment en matière de prévention d'incendie.
4. Une circulation d'air efficace est requise afin d'assurer la combustion et l'évacuation complète des gaz par la cheminée des appareils à combustion pour prévenir les retours de cheminée. Conformez-vous aux instructions et aux standards de sécurité des fabricants d'appareils de chauffage, tels qu'ils sont publiés par la National Fire Protection Association (NFPA) et l'American Society for Heating, Refrigeration and Air Conditioning Engineers (ASHRAE) ainsi que les responsables des codes locaux.
5. Lorsque vous coupez ou percez un mur ou un plafond, prenez garde de ne pas endommager les fils électriques ou autre installation qui pourraient y être dissimulés.
6. Les ventilateurs avec conduits doivent toujours évacuer l'air à l'extérieur.
7. N'utilisez pas cet appareil avec une commande de vitesse à semi-conducteur additionnelle.
8. Afin de réduire le risque d'incendie, n'utilisez que des conduits en métal.
9. Cet appareil doit être relié à une mise à la terre.
10. Lorsqu'une réglementation est en vigueur localement et qu'elle comporte des exigences d'installation et/ou de certification plus restrictives, lesdites exigences prévalent sur celles de ce document et l'installateur entend s'y conformer à ses frais.

AFIN DE RÉDUIRE LE RISQUE DE FEU DE CUISINIÈRE :

- A. Ne laissez jamais les appareils de cuisson sans surveillance lorsqu'ils sont réglés à feu vif. Les débordements engendrent de la fumée et des déversements graisseux pouvant s'enflammer. Chauffez l'huile lentement, à feu doux ou moyen.
- B. Mettez toujours la hotte en marche lorsque vous cuisinez à feu vif ou que vous cuisinez des mets flambés (par ex. : Crêpes Suzette, Cerises Jubilé, Steak au Poivre Flambé).
- C. Nettoyez régulièrement la (les) roue(s) du moteur de ventilateur. Ne laissez pas la graisse s'accumuler sur le ventilateur ou les filtres.
- D. Utilisez le bon format de casserole. Servez-vous toujours de casseroles et d'ustensiles appropriés à la dimension de la surface chauffante.

AVERTISSEMENT

AFIN D'ÉVITER TOUT RISQUE DE BLESSURES LORS D'UN FEU DE CUISINIÈRE, OBSERVEZ LES INSTRUCTIONS SUIVANTES* :

1. ÉTOUFFEZ LES FLAMMES à l'aide d'un couvercle hermétique, une plaque à biscuits ou un plateau en métal, puis éteignez le brûleur. ATTENTION DE NE PAS VOUS BRÛLER. SI LES FLAMMES NE S'ÉTEIGNENT PAS IMMÉDIATEMENT, PRENEZ SOIN D'ÉVITER LES BRÛLURES, SORTEZ ET APPELEZ LES POMPIERS.
2. NE PRENEZ JAMAIS EN MAIN UNE POÊLE OU UNE CASSEROLE QUI A PRIS FEU; vous pourriez vous brûler.
3. N'UTILISEZ PAS D'EAU, ni de linge à vaisselle ou de serviettes mouillés; cela pourrait occasionner une violente explosion de vapeur.
4. Utilisez un extincteur SEULEMENT LORSQUE :
 - A. Vous savez qu'il s'agit d'un extincteur de classe ABC et que vous en connaissez le fonctionnement.
 - B. L'incendie est petit et limité à l'endroit où il a débuté.
 - C. Les pompiers ont été avisés.
 - D. Vous pouvez combattre l'incendie en ayant accès à une sortie de secours.

*Tirées du "Kitchen Fire Safety Tips" publié par la NFPA.

ATTENTION

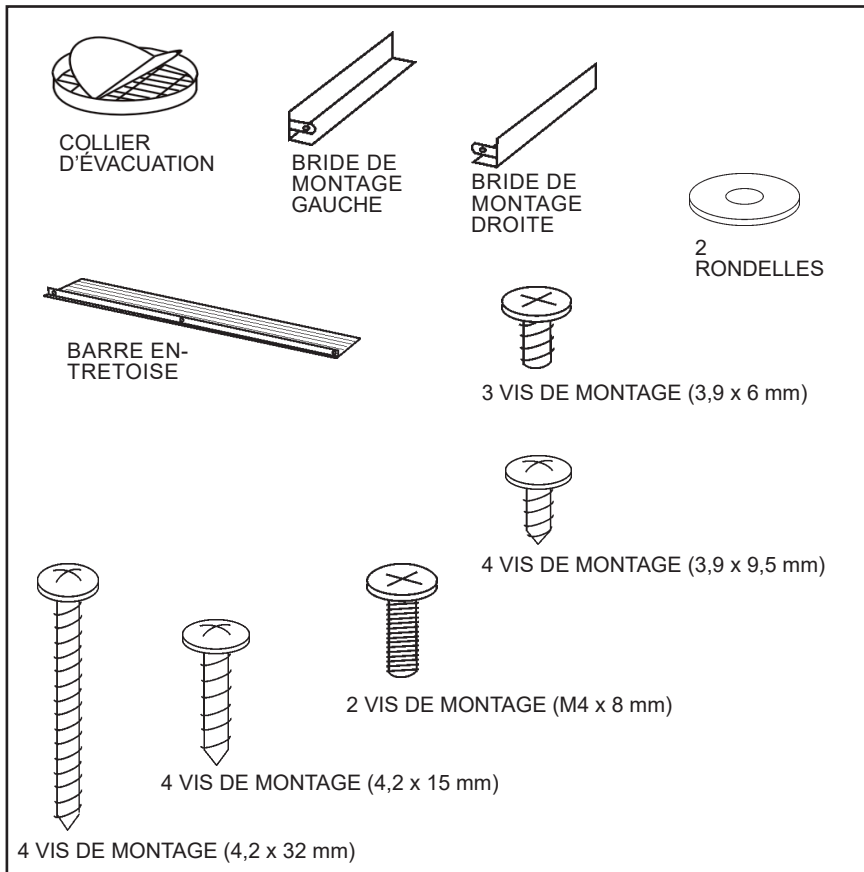
1. Pour usage intérieur seulement.
2. Pour réduire tout risque d'incendie et évacuer correctement l'air, assurez-vous d'évacuez l'air à l'extérieur. N'évacuez pas l'air dans des espaces clos comme l'intérieur des murs ou un plafond, dans le grenier, faux-plafond ou garage.
3. Faites très attention lors de l'utilisation de produits de nettoyage ou de détergents.
4. Évitez d'utiliser des produits alimentaires pouvant s'enflammer sous la hotte de cuisinière.
5. N'utilisez cet appareil que pour une ventilation générale. Ne l'utilisez pas pour évacuer des vapeurs ou des matières dangereuses ou explosives.
6. Afin d'éviter tout dommage au moteur et de déséquilibrer ou de rendre bruyante la roue du moteur, gardez votre appareil à l'abri des poussières de gypse et de construction/rénovation, etc.
7. Le moteur de votre hotte possède une protection thermique qui éteindra automatiquement le moteur s'il devient surchauffé. Il redémarrera automatiquement une fois refroidi. Si le moteur continue à s'éteindre et à se remettre en marche, faites vérifier votre hotte.
8. Pour une meilleure évacuation des odeurs de cuisson, le bas de votre hotte devrait être à un minimum de 24 po et à un maximum de 30 po au-dessus de la surface de cuisson.
9. En raison de la grande dimension et du poids de cet appareil, il est recommandé de confier l'installation à deux personnes.
10. Nous vous recommandons de lire l'étiquette indiquant les caractéristiques de votre hotte pour de plus amples renseignements et exigences.
11. Appareil avec fonctionnement automatique. Pour réduire les risques de blessures, débrancher avant l'entretien.
12. Ne pas utiliser un ventilateur avec un cordon ou une fiche endommagé. Jeter ou retourner à un centre de service autorisé pour examen et / ou réparation.

PRÉPARATION DE LA HOTTE

Retirer la hotte de l'emballage, puis vérifier le contenu.

Vous devez avoir:

- 1 - Hotte
- 1 - Sachet de pièces (B080810359) comprenant :
 - 3 - Vis de montage (3,9 mm x 6 mm tête fraisée)
- 1 - Sachet de pièces (B080810871) comprenant :
 - 1 - Bride de montage droite
 - 1 - Bride de montage gauche
 - 2 - Vis de montage (M4 x 8 mm)
 - 2 - Rondelles
 - 4 - Vis de montage (3,9 mm x 9,5 mm)
 - 4 - Vis de montage (4,2 mm x 15 mm)
 - 4 - Vis de montage (4,2 mm x 32 mm)
 - 1 - Collier d'évacuation
- 1 - Barre entretoise
- 1 - Instructions pour l'installation

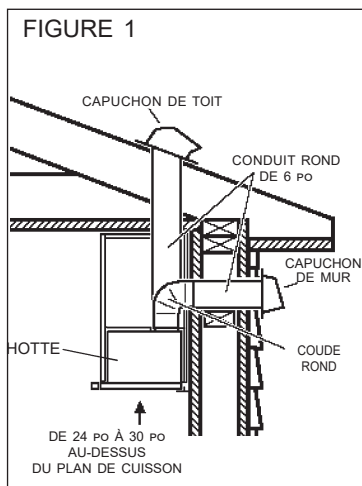


INSTALLATION DU SYSTÈME DE CONDUITS

(HOTTES À ÉVACUATION EXTÉRIEURE SEULEMENT)

NOTE : Pour réduire le risque d'incendie, n'utilisez que des conduits en métal.

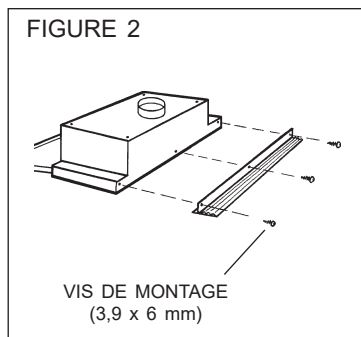
1. Déterminer par où passera le conduit, entre votre hotte et l'extérieur.
2. Un conduit droit et court permettra à votre hotte de fonctionner plus efficacement.
3. Un conduit long avec des coudes et des transitions réduira la performance de votre hotte. En utiliser le moins possible. Pour une grande distance, il faut un conduit d'évacuation d'air au diamètre plus grand.
4. Installer un capuchon de toit ou de mur. Relier le conduit circulaire en métal au capuchon, puis acheminer le conduit jusqu'à l'emplacement de votre hotte. Sceller hermétiquement les raccords à l'aide de ruban à conduits.



INSTALLATION DE LA BARRE ENTRETOISE

Afin de compenser des vides éventuels de profondeur entre l'appareil et le mur, une BARRE ENTRETOISE en plastique a été prévue; elle doit être fixée sur l'arrière de l'appareil au moyen des trois vis (3,9 mm x 6 mm). Les 3 vis à utiliser se trouvent dans le sachet des accessoires joint à la barre entretoise de plastique.

Couper la barre entretoise selon la distance qui doit être compensée.



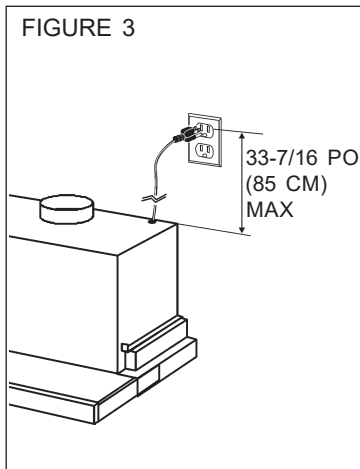
BRANCHEMENT ÉLECTRIQUE

AVERTISSEMENT : Cette hotte de cuisinière doit être correctement reliée à une mise à la terre. L'installation doit être effectuée par du personnel qualifié en vertu des codes électriques nationaux et locaux en vigueur.

INSTRUCTIONS POUR MISE À LA TERRE
Cet appareil doit être relié à la terre. En cas de court-circuit électrique, la mise à la terre réduit le risque d'électrocution en fournissant un câble d'évacuation du courant. Cet appareil est muni d'un cordon équipé d'un câble de mise à la terre avec fiche de mise à la terre. La fiche doit être branchée dans une prise de courant correctement installée et mise à la terre.

AVERTISSEMENT - Consultez un électricien si les instructions de mise à la terre ne sont pas tout à fait compréhensibles ou si un doute persiste quant à savoir si l'appareil est correctement relié à la terre. Ne pas utiliser de rallonge électrique. Si le cordon d'alimentation est trop court, demandez à un électricien d'installer une prise de courant près de l'appareil.

Placer la prise à une distance maximale de 33 7/16 po de l'endroit où le fil sort de la hotte (voir Figure 3).



INSTALLATION

La hotte doit être encastrée dans une armoire.

ATTENTION: Il faut au moins 2 personnes pour monter cet appareil; il est conseillé de confier les opérations d'installation à des spécialistes.

Pour les mesures de l'armoire, voir la Figure 4.

Installation directe à l'armoire

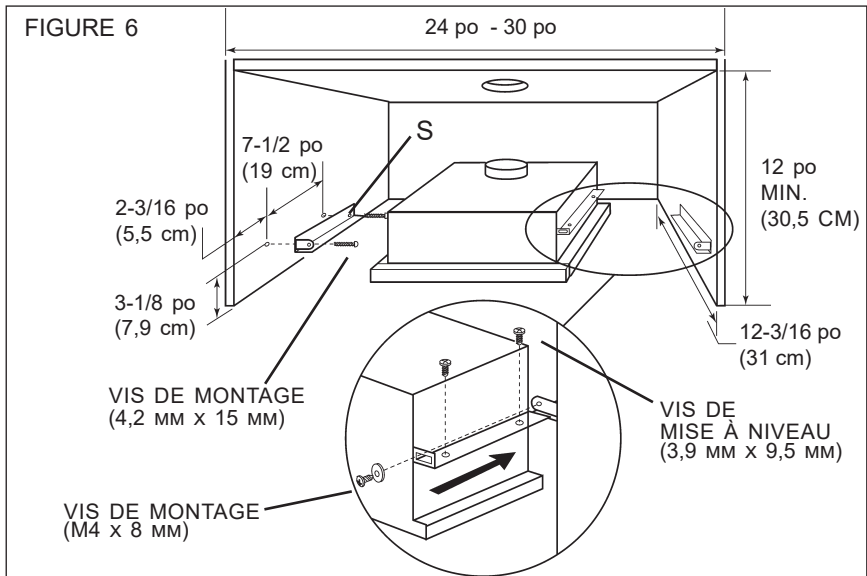
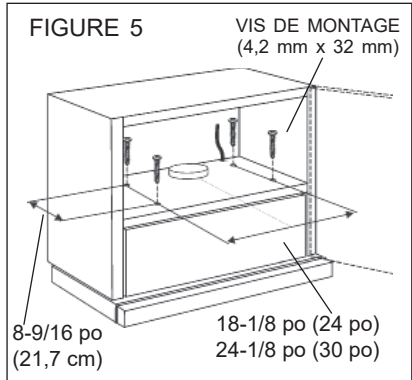
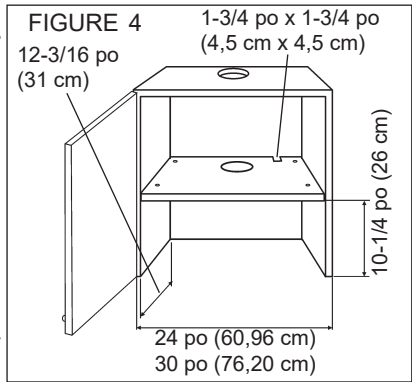
Réf. à la Figure 5.

1. Pratiquer les 4 trous de fixation requis dans l'armoire et découper celui pour le conduit d'évacuation et celui du cordon électrique.
2. Amener la hotte près du bas de l'armoire et la fixer à celle-ci à l'aide des 4 vis autotaraudeuses (4,2 mm x 32 mm) fournies.

Fixation avec brides de montage

Réf. à la Figure 6.

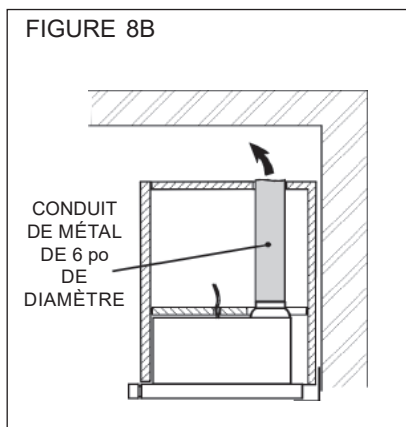
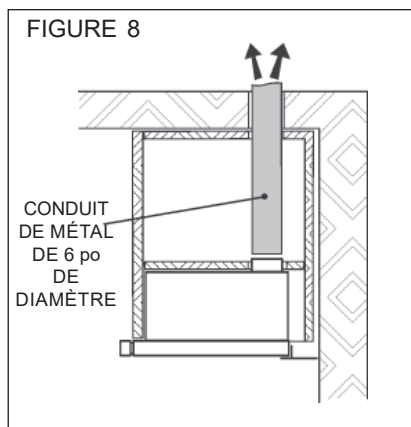
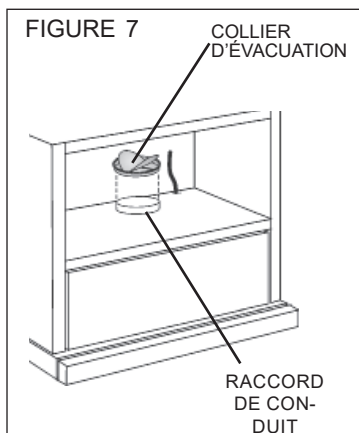
1. Sortir du sachet des accessoires les 2 brides de montage (S) et les 4 vis fournies (4,2 mm x 15 mm).
2. Fixer les brides de montage à l'armoire en s'assurant de les positionner correctement.
3. Régler l'inclinaison de la hotte à l'aide des 4 vis de mise à niveau (3,9 mm x 9,5 mm).
4. Fixer la hotte aux brides de montage en utilisant les 2 vis (M4 x 8 mm) et rondelles.



RACCORDEMENT DES CONDUITS

(HOTTES À ÉVACUATION EXTÉRIEURE SEULEMENT)

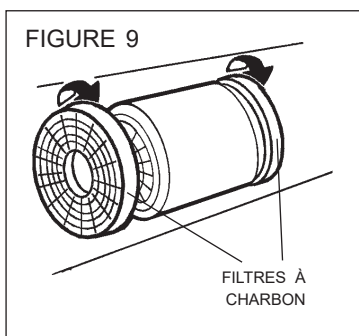
1. Installer le collier d'évacuation dans le raccord de conduit de la hotte (Fig. 7).
2. Utiliser un conduit circulaire en métal de 6 po pour relier le raccord de conduit de la hotte au conduit menant à l'extérieur. Voir la Figure 8.
3. Sceller hermétiquement les joints du conduit à l'aide de ruban à conduits.
4. Brancher le cordon d'alimentation de l'appareil dans la prise.



INSTALLATION DES FILTRES À CHARBON (HOTTES À RECIRCULATION)

1. Installer le collier d'évacuation dans le raccord de conduit de la hotte (Fig. 7).
2. Voir la Figure 8B. Raccorder un conduit en métal rond de 6 po à une ouverture d'évacuation de façon à ce que l'air soit acheminé à l'extérieur de l'armoire et renvoyé dans la pièce.
3. Placer les filtres aux extrémités du ventilateur.
4. Faire tourner pour bloquer les filtres en place.
5. Acheter l'ensemble de rechange de filtres à charbon (comprend 2 filtres) chez votre fournisseur.

N° de pièce : FILTEREB40.



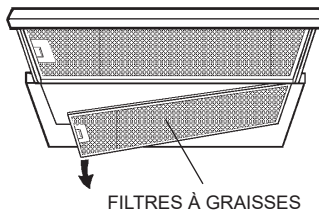
ENTRETIEN

Un entretien adéquat de votre hotte de cuisinière garantira une excellente performance.

AVANT DE RÉPARER OU DE NETTOYER L'APPAREIL, COUPEZ L'ALIMENTATION ÉLECTRIQUE EN VERROUILLANT LE PANNEAU DE SERVICE AFINE D'ÉVITER SA REMISE EN MARCHÉ ACCIDENTELLE.

SI LE PANNEAU DE SERVICE NE PEUT ÊTRE VERROUILLÉ, Y FIXER UN AVERTISSEMENT EN ÉVIDENCE, TELLE QU'UNE ÉTIQUETTE DE COULEUR VIVE.

FIGURE 10



Filtres à graisses

Les filtres à graisses doivent être nettoyés périodiquement en fonction de l'usage (approximativement tous les deux (2) mois).

Utiliser une solution détergente chaude. Les filtres à graisses sont lavables au lave-vaisselle. Nettoyer les filtres fabriqués entièrement de métal au lave-vaisselle à l'aide d'un détergent sans phosphate. L'utilisation d'un détergent avec phosphates ainsi que les conditions locales de l'eau peuvent entraîner une décoloration des filtres, sans toutefois affecter leur performance. Cette décoloration n'est pas couverte par la garantie.

Pour retirer les filtres à graisses, appuyer sur le taquet de la poignée et tirer le filtre vers le bas (Fig. 10); étirer complètement la partie coulissante de la hotte et enlever l'autre filtre de la même manière.

Filtres à charbon

Les filtres à charbon doivent être remplacés tous les 6 mois. Faire tourner les filtres pour les enlever et les remplacer.

Nettoyage de votre hotte

L'acier inoxydable est l'un des matériaux les plus faciles à nettoyer. Un entretien occasionnel permettra de conserver sa belle apparence. Conseils de nettoyage :

- De l'eau chaude et du savon ou un détergent est tout ce qui est normalement requis.
- Après le nettoyage, rincer toujours à l'eau claire. Essuyer la surface avec un chiffon propre et doux pour éviter les stries.
- Pour les ternissures ou les dépôts tenaces, utiliser un nettoyant domestique non abrasif ou une poudre à polir l'acier inoxydable avec un peu d'eau et un chiffon doux.
- Pour la saleté rebelle, utiliser un tampon à récurer en plastique ou une brosse à poils doux avec un nettoyant et de l'eau. Frotter doucement dans le sens des lignes de polissage ou du « grain » de l'acier. Éviter de trop appuyer au risque de gâcher la surface.
- NE PAS LAISSER les dépôts s'accumuler trop longtemps.
- NE PAS UTILISER une laine d'acier ordinaire ou une brosse d'acier. De petites particules d'acier risqueraient d'adhérer à la surface et de la faire rouiller.
- NE PAS LAISSER longtemps en contact avec l'acier inoxydable une solution saline, un désinfectant, de l'eau de Javel ou tout autre produit détachant. Bon nombre de ces nettoyants contiennent des produits chimiques pouvant en altérer la surface. Après l'utilisation du nettoyant, rincer la surface à l'eau, puis l'essuyer avec un chiffon propre.

Nettoyer les surfaces uniquement à l'eau tiède avec un détergent doux.

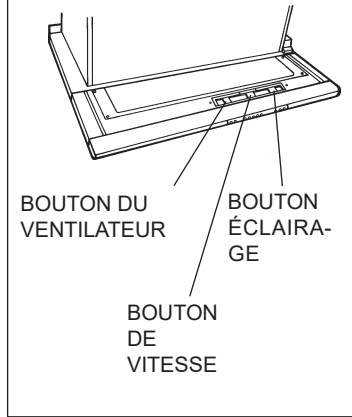
FONCTIONNEMENT

- NOTE : Eviter d'utiliser des produits alimentaires qui produisent des flammes sous la hotte.

Commandes

1. Bouton du ventilateur
En position gauche (0) – Ventilateur arrêté
En position droite (1) – fonctionnement et arrêt automatiques du ventilateur en ouvrant et en fermant la partie coulissante de la hotte.
2. Bouton de vitesse - Il permet le réglage des vitesses du ventilateur.
3. Bouton éclairage:
Position centrale de l'interrupteur (0) – lumière éteinte. Position gauche (AUTO) – allumage et extinction automatiques de la lumière en ouvrant et en fermant la partie coulissante de la hotte.
Position droite (MAN) – lumière allumée.

FIGURE 11



AMPOULE HALOGÈNE

Cette hotte requiert deux ampoules halogènes (Type T3, 12Volt, 20Watt Max, G-4 Base).

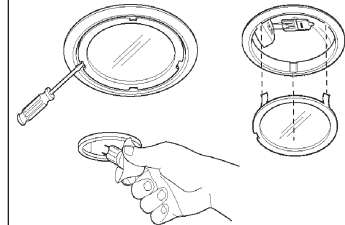
AVERTISSEMENT: Toujours couper l'alimentation électrique avant d'effectuer toute opération sur l'appareil.

1. Ouvrez le couvercle en faisant levier dans les fentes appropriées. Voir Fig. 12.
2. Enlever l'ampoule en tirant latéralement. **(TOURNE PAS)**

ATTENTION: L'ampoule peut être chaude.

3. Remplacez-la par Type T3, 12Volt, 20Watt Max, G-4 Base ampoule halogène.
Ne pas toucher l'ampoule de remplacement à mains nues!

FIGURE 12



GARANTIE

GARANTIE LIMITÉE DE DEUX ANS DES PRODUITS BROAN

Venmar Ventilation ULC (Venmar Ventilation) garantit à l'acheteur original que les produits BROAN Elite vendus en vertu de la présente sont libres de tout vice de matériau ou de fabrication pour une période de deux ans à compter de la date d'achat originale. CETTE GARANTIE NE COMPORTE AUCUNE AUTRE GARANTIE, EXPRESSE OU TACITE, Y COMPRIS, MAIS SANS S'Y LIMITER, LES GARANTIES TACITES DE VALEUR MARCHANDE OU D'ADAPTATION À UN USAGE PARTICULIER. Durant cette période de deux ans, Venmar Ventilation réparera ou remplacera gratuitement, à sa discrétion, tout produit ou toute pièce jugés défectueux dans des conditions normales d'utilisation.

CETTE GARANTIE NE S'APPLIQUE PAS AUX TUBES FLUORESCENTS ET AUX STARTERS, NI AUX AMPOULES HALOGÈNES OU INCANDESCENTES, FUSIBLE, FILTRES, CONDUITES, CAPUCHONS DE TOIT, CAPUCHONS DE MUR ET AUTRES ACCESSOIRES POUR CANALISATIONS. Cette garantie ne couvre pas (a) les frais d'entretien ou de service normaux ni (b) tout produit ou toute pièce soumis à une utilisation inadéquate, une négligence, un accident, un entretien ou une réparation inadéquats (autres que ceux effectués par Venmar Ventilation), une mauvaise installation ou une installation contraire aux instructions recommandées. La durée de toute garantie tacite est limitée à la période de deux ans stipulée pour la garantie expresse. Certaines provinces ne permettent pas de limites quant à la durée d'une garantie implicite. La restriction susmentionnée peut donc ne pas s'appliquer dans votre cas.

L'OBLIGATION POUR VENMAR VENTILATION DE RÉPARER OU DE REMPLACER LE PRODUIT, À SA DISCRÉTION, CONSTITUE LE SEUL RECOURS DE L'ACHETEUR EN VERTU DE CETTE GARANTIE. VENMAR VENTILATION NE PEUT PAS ÊTRE TENUE RESPONSABLE DE TOUT DOMMAGE INDIRECT, CONSÉCUTIF OU ACCESSOIRE DÉCOULANT DE L'UTILISATION OU DU RENDEMENT DU PRODUIT. Certaines provinces interdisent l'exclusion ou la restriction des dommages indirects ou consécutifs. La restriction susmentionnée peut donc ne pas s'appliquer dans votre cas.

La présente garantie vous confère des droits spécifiques reconnus par la loi. D'autres droits pourraient également vous être accordés selon la législation locale en vigueur. La présente garantie remplace toutes les autres garanties précédentes. Pour le service sous garantie, vous devez (a) aviser Venmar Ventilation à l'adresse ou au numéro de téléphone mentionnés ci-dessous, (b) indiquer le numéro de modèle et d'identification de la pièce et (c) décrire la défectuosité du produit ou de la pièce. Lors d'une réclamation, vous devez présenter une preuve de la date d'achat originale.

Venmar Ventilation ULC, 550 boul. Lemire, Drummondville, QC J2C 7W9
www.broan.ca 877 896-1119

LEA Y CONSERVE ESTAS INSTRUCCIONES

INDICADO PARA EL USO EN COCINAS DOMESTICAS

ADVERTENCIA

PARA EVITAR EL RIESGO DE INCENDIO, CORTOCIRCUITO O DAÑO PARA LAS PERSONAS, OBSERVE ATENTAMENTE LAS SIGUIENTES NORMAS:

1. Use esta unidad solamente de la manera indicada por el fabricante; si tiene dudas, póngase en contacto con éste a la dirección o teléfono indicados en la garantía.
2. Antes de hacer una revisión o de limpiar la unidad, desconéctela de la red para evitar que se encienda de manera accidental. En el caso de que éste no pueda ser desactivado, se indicará nel panel de servicio.
3. El montaje y la instalación eléctrica debe hacerlos un técnico especializado siguiendo las normas estándar e incluyendo aquellas de construcción anti incendio.
4. Necesita aire suficiente para una apropiada combustión y escape de gases a través del tubo del depósito de quema de combustible. Para evitar que el humo aspirado vuelva a la cocina, siga las directivas del fabricante y las normas estándar de seguridad así como las normas publicadas por la Asociación de prevención de incendios (NFPA) y la Sociedad americana de especialistas en calefacción, refrigeración y aire acondicionado y además las normas de las autoridades locales.
5. Hacer un corte o un taladro en la pared o en el techo no debe dañar la instalación eléctrica u otras instalaciones ocultas en la pared.
6. Los conductos ventiladores deben siempre desalojar al exterior.
7. No use esta unidad con dispositivo de control de la velocidad a estado sólido.
8. Para evitar el riesgo de incendio, use solamente conductos de metal.
9. Esta unidad tiene que ser conectada a tierra.
10. Cuando las regulaciones locales comprenden la instalación y los requisitos más restrictivos / o certificación, los requisitos anteriores prevalecen sobre las del presente documento y el instalador se compromete a cumplir con estas exigencias a sus propios gastos.

PARA EVITAR EL RIESGO DE FUEGO POR ALTO NIVEL DE GRASA:

- A. Nunca abandone los quemadores con el fuego alto. La cocción causa humo y restos de grasa que pueden arder. Caliente el aceite a fuego medio o bajo.
- B. Encienda siempre la campana cuando cocine a fuego alto o cuando cocine alimentos fácilmente inflamables. (por ejemplo Crêpes Suzette, Cerezas Jubilee, Ternera flambeada con granos de pimienta).
- C. Limpie con frecuencia los ventiladores. No se debe acumular grasa en el ventilador o en el filtro.
- D. Usa el tamaño de cazuela apropiado. Use siempre utensilios de cocina de tamaño y material adecuados.

ADVERTENCIA

PARA EVITAR EL RIESGO DE DAÑOS A PERSONAS EN CASO DE FUEGO POR ALTO NIVEL DE GRASA, TENGA EN CUENTA LO SIGUIENTE:*

1. SOFOQUE LA LLAMA con una tapadera apropiada, una bandeja metálica ó un utensilio de cocina que pueda cubrirla, despues, apague el quemador. **ACTUE CON PRECAUCIÓN PARA EVITAR QUEMADURAS. SI LA LLAMA NO SE EXTINGUE INMEDIATAMENTE , SALGA Y LLAME A LOS BOMBEROS.**
2. **NUNCA COJA UNA SARTEN EN LLAMAS**, porque corre el riesgo de quemarse.
3. **NO USE AGUA** ni paños o toallas húmidas porque puede provocarse una violenta humareda.
4. Use un extintor **SOLAMENTE** si:
 - A. Posee un extintor de clase ABC y sabe perfectamente cómo usarlo.
 - B. El fuego es pequeño y está controlado en el mismo sitio en que empezó.
 - C. Ha llamado con anterioridad a los bomberos.
 - D. Puede combatir el fuego retrocediendo hacia la salida.

* Basado en "Seguridad antifuego en la cocina" publicado por NFPA.

ADVERTENCIA

1. Para uso en interiores.
2. Para reducir el riesgo de incendios y para evacuar correctamente los humos, asegurarse de haber realizado una conducción del aire hasta el exterior. No expulsar los humos en espacios cerrados por paredes o techos, áticos, espacios angostos o garajes.
3. Prestar la máxima atención al utilizar productos de limpieza o detergentes.
4. Evitar el uso de productos alimentarios que puedan inflamarse bajo la campana.
5. Sólo para ventilación total. No use gases de escape peligrosos o materiales y vapores explosivos.
6. Para evitar daños en el funcionamiento del motor e impulsores ruidosos y/o desequilibrados, mantenga alejados de la unidad de encendido pulverizadores en seco o polvo.
7. El motor tiene un nivel de sobrecarga térmica que apaga automáticamente el motor cuando se ha recalentado excesivamente. El motor se pone de nuevo en funcionamiento cuando la temperatura baja. Si el motor comienza a encenderse y a apagarse, deberá hacer una revisión de éste.
8. Para limpiar mejor las impurezas al cocinar, la distancia entre la parte inferior de la campana y la zona de cocción debe ser mínimo 24" - máximo 30".
9. Debido a su gran tamaño y peso, se recomienda su montaje por parte de dos técnicos especializados.
10. Se recomienda leer la placa de características del producto para ulterior información.
11. Aparato con automatismo. Para evitar el riesgo de daños, colocar el interruptor del panel de servicio en la posición OFF antes de mantenimiento.
12. No opere ningún aparato con un cable o enchufe dañado. Deseche el ventilador o el retorno a un centro de servicio autorizado para su revisión y / o reparación.

PREPARE LA CAMPANA

Sacar la campana de l'embalaje y controlar el contenido.

Recivireis:

1 - Campana

1 - Bolsita (B080810359) con:

3 - Tornillos de montaje (3,9 x 6 mm cabeza plano)

1 - Bolsita (B080810871) con:

1 - Estribo derecho

1 - Etrier izquierdo

2 - Tornillos de montaje (M4 x 8 mm)

2 - Arandelas

4 - Tornillos de montaje (3,9 x 9,5 mm)

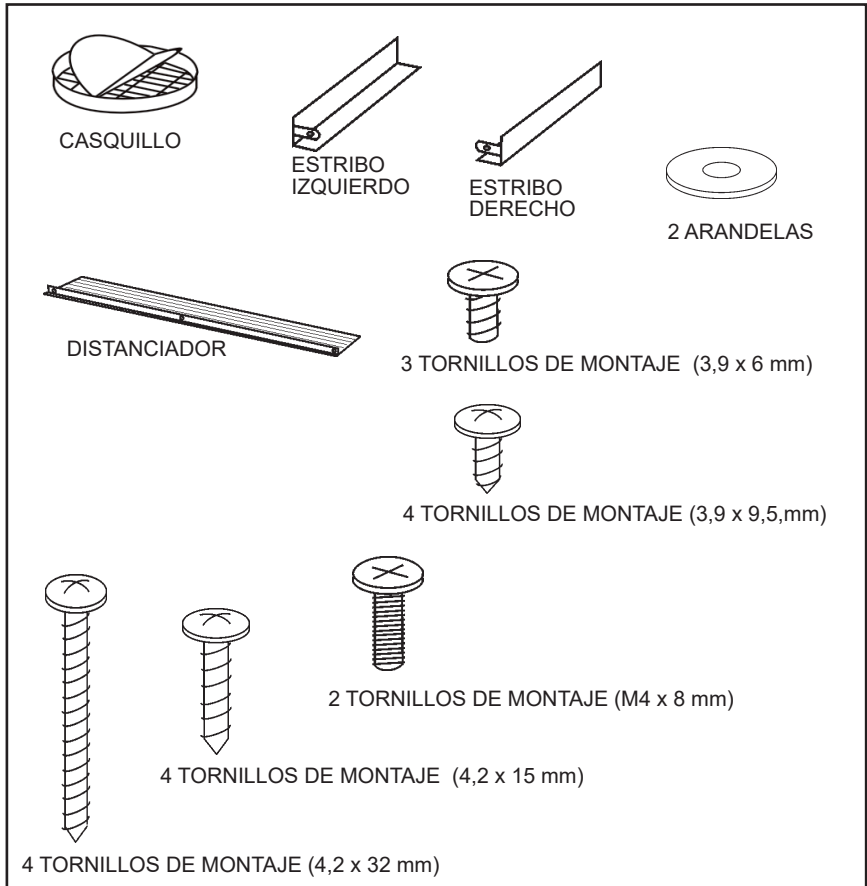
4 - Tornillos de montaje (4,2 x 15 mm)

4 - Tornillos de montaje (4,2 x 32 mm)

1 - Casquillo

1 - Distanciador

1 - Instrucciones para instalación



INSTALACION DEL TUBO DE EXTRACCION (SÓLO CAMPANAS CON CONDUCTO)

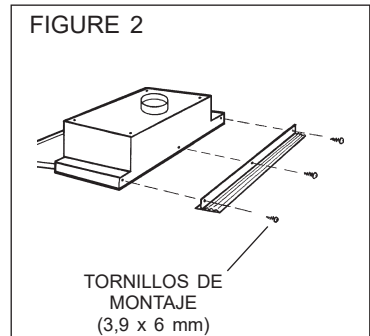
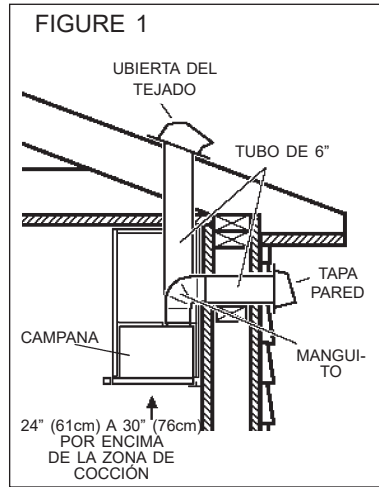
NOTA: para evitar el riesgo de incendio, use solamente material de metal.

1. Decida donde va a colocar el tubo de extracción entre la campana y la parte exterior.
2. Un recorrido de tubo corto y recto permitirá a la campana funcionar de manera más eficaz.
3. Los recorridos largos de tubo, codos y manguitos impiden el buen funcionamiento de la campana. Use el menor número de ellos posible. Para usos prolongados es necesario un tubo de evacuación del aire de mayor diámetro.
4. Instale una cubierta ó una tapa. Una el tubo de metal a la cubierta y retroceda hasta la posición de la campana. Use una cinta para precintar las juntas entre las partes del entubado.

INSTALACION DISTANCIADOR

A fin de compensar los posibles huecos entre el aparato y la pared, se ha previsto un DISTANCIADOR de plástico, que debe sujetarse en la trasera del aparato, por medio de 3 tornillos (3,9 x 6 mm). Los 3 tornillos se encuentran en el saco de accesorios adjunto al distanciador.

Cortar la pieza de plástico, según la distancia a cubrir entre el aparato y la pared.



INSTALACIÓN ELÉCTRICA

Nota: Este tipo de campana tiene que ser conectada a tierra cuidadosamente. La unidad debe instalarla un técnico electricista siguiendo las normas nacionales y locales.

INSTRUCCIONES DE CONEXIÓN A TIERRA

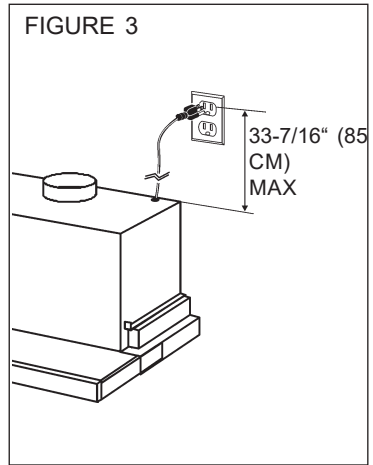
Este aparato se debe conectar a tierra. En caso de cortocircuito, la conexión a tierra reduce el riesgo de electrocución ya que posee un hilo de descarga a tierra para la corriente. Este aparato está equipado con un cable que posee un hilo de toma de tierra con una clavija de tierra. La clavija se debe conectar a un enchufe instalado correctamente y conectado a tierra.

ADVERTENCIA- una conexión a tierra incorrecta puede provocar riesgos de electrocución.

Consulte a un electricista calificado si no se entienden o si existe alguna duda sobre la correcta conexión a tierra.

No utilice un cable de prolongación. Si el cable proporcionado es demasiado corto, póngase en contacto con un electricista calificado para que instale un enchufe cerca del aparato.

Coloque el enchufe a una distancia máxima de 33-7/16" (85 cm) desde el cable de la campana (véase figura 3).



FIJACIÓN

Este dispositivo debe instalarse dentro de un armario de pared.

CUIDADO: para montar este aparato se necesitan al menos 2 personas; le aconsejamos que lo haga instalar a personal especializado.

Para conocer las medidas del armario de pared, consulte la Figura 4.

Fijación al mueble

Consulte la Figura 5.

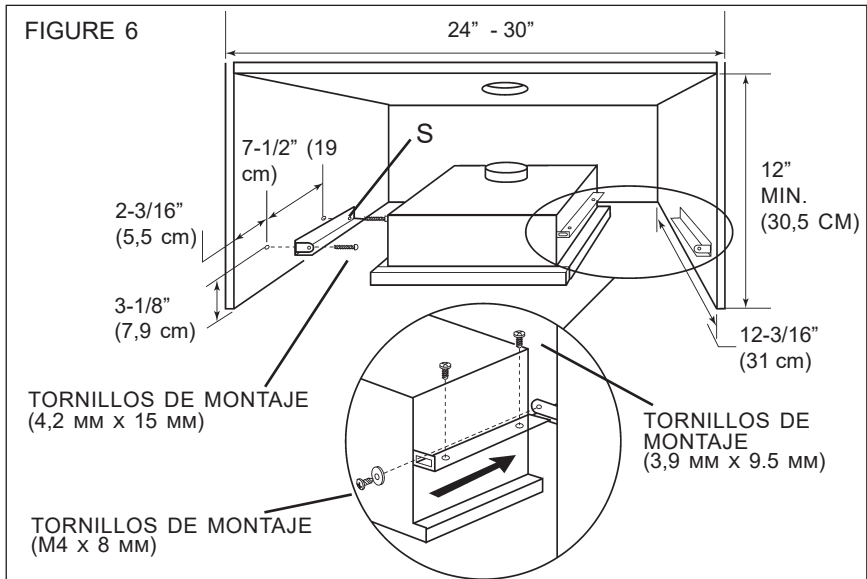
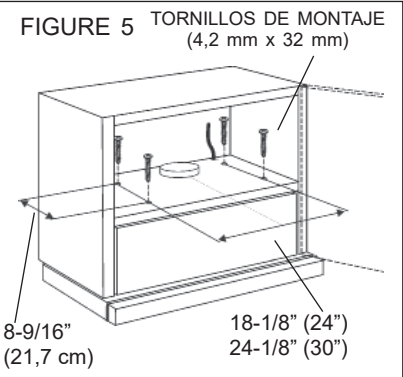
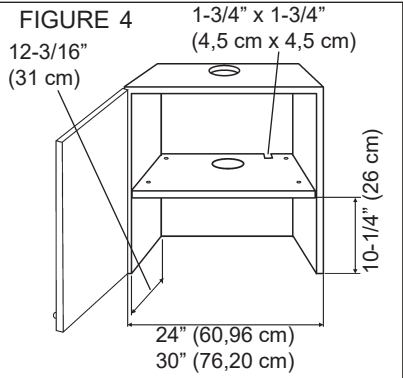
Realice los 4 agujeros de fijación previstos en el fondo del armario y corte la abertura necesaria para la evacuación del aire.

Acerque la campana al fondo del armario de pared y conecte ambas unidades con los 4 tornillos de autorroscado (4,2 x 32 mm) suministrados con el dispositivo.

Fijación con estribos

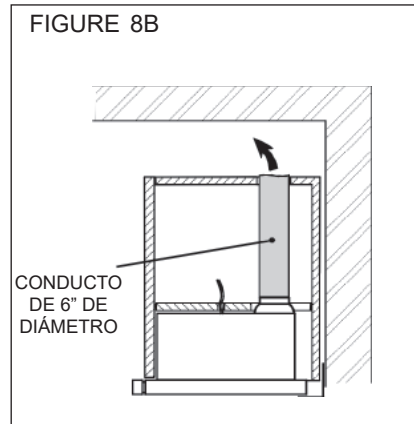
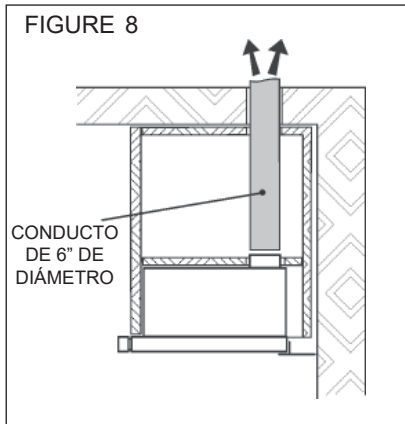
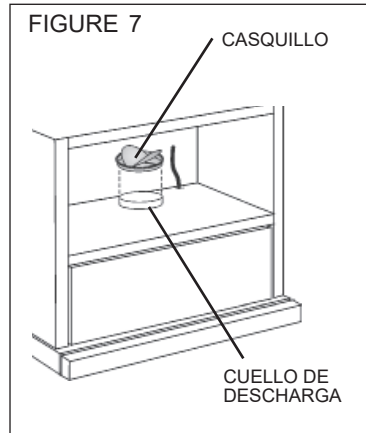
Consulte la Figura 6.

1. Extraer del saco de accesorios los 2 estribos (S) y los 4 tornillos (4,2 x 15 mm) que se entregan con el aparato.
2. Fijar los estribos (S) al mueble de pared prestando atención para colocarlos correctamente.
3. Regular la inclinación del aparato con los 4 tornillos (3,9 x 9,5 mm).
4. Fijar el aparato a los estribos, utilizando los 2 tornillos (M4 x 8 mm) y arandelas.



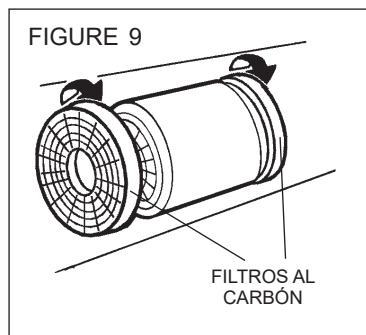
CONEXIÓN DE LOS TUBOS (CONFIGURACION CON CONDUCTO)

1. Instale el cuello de descarga en el conector de conducto de la campana de cocina (Fig. 7).
2. Utilice un conducto de metal redondo de 6" (150 mm) para conectar la brida de descarga de la campana con el tubo de arriba Fig. 8
3. El conducto tapa todas las juntas, asegurándolas y volviéndolas herméticas.
4. Conecte la clavija al enchufe.



INSTALACIÓN FILTROS AL CARBÓN (CONFIGURACION SIN TUBO)

1. Instale el cuello de descarga en el conector de conducto de la campana de cocina (Fig. 7).
2. Consulte la Figura 8B. Conecte un tubo de metal redondo de 6" (15 cm) que circunda la abertura de la campana de cocina para que el aire enviado fuera del mueble de pared se devuelva a la sala
3. Instale los filtros sobre el aspirador.
4. Gire los filtros para ajustarlos en su sitio.
5. Compre el equipo filtros al carbón (incluye n.2 filtros) a su proveedor habitual.
Cod. n. FILTEREB40.



MANTENIMIENTO

Un mantenimiento adecuado de la campana asegura el funcionamiento correcto del aparato.

ANTES DE REALIZAR OPERACIONES DE MANTENIMIENTO O LIMPIEZA DE LA UNIDAD, DESCONECTE LA ALIMENTACIÓN EN EL PANEL DE SERVICIO Y CIERRE EL MISMO CON UN CANDADO. DESCONECTAR EL SERVICIO SIGNIFICA EVITAR LA CONEXIÓN ACCIDENTAL DE LA ALIMENTACIÓN.

SI NO ES POSIBLE CERRAR EL PANEL DE SERVICIO CON UN CANDADO, COLOQUE EN ÉL UN DISPOSITIVO DE SEÑALIZACIÓN ADECUADO COMO, POR EJEMPLO, UN LETRERO DE ADVERTENCIA.

Filtros antigrasa

Los filtros de grasa deben limpiarse periódicamente según el uso (aproximadamente cada 2 meses).

Utilice una solución limpiadora tibia. El filtro de grasa es a prueba de lavavajillas. Limpie todos los filtros de metal en el lavavajillas con un detergente sin fosfatos. La decoloración del filtro se puede producir si se utiliza detergente con fosfato o como consecuencia de las condiciones del agua local - pero esto no afectará el rendimiento del filtro. Esta decoloración no está cubierto por la garantía.

Para desmontar los filtros de grasa, empuje hacia dentro el retén cerca de la manilla y tire del filtro hacia abajo (Fig. 10); sostenga el soporte y desmonte el otro filtro del mismo modo.

Filtros al carbón

Los filtros deben cambiarse cada seis meses. Gire los filtros para desenroscarlos y cambiarlos.

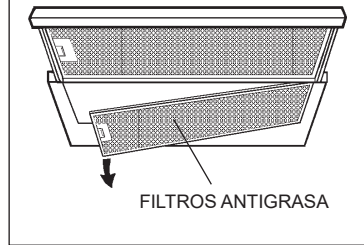
Limpieza de la campana

El acero inoxidable es uno de los materiales más fáciles de limpiar, pero sería aconsejable un especial cuidado en su uso para mantenerla en buen estado. La campana se puede limpiar de las siguientes maneras:

- | Agua caliente con jabón o detergente es la mejor manera para limpiarla.
- | Aclárela con agua corriente, séquela con un paño suave y limpio para evitar las huellas que deja el agua.
- | Para las manchas o restos de grasa que persistan, use un producto químico doméstico que no raye ó un limpiador para acero inoxidable con poca agua y un paño suave.
- | Si las manchas persisten, use un estropajo y un cepillo de cerdas suaves con un producto limpiador y agua. Frote suavemente en el sentido del pulido o de las "vetas" del remate del inoxidable. No apriete demasiado porque podría dañar la superficie.
- | No deje que las manchas se acumulen durante mucho tiempo.
- | No use utensilios o cepillos de acero. Pequeñas partículas de acero pueden adherirse y oxidarse.
- | No use soluciones salinas, desinfectantes, lejías, o productos de limpieza que permanezcan en contacto con el acero inoxidable durante largos periodos de tiempo. Muchos de estos productos contienen componentes químicos que podrían resultar nocivos. Aclare con agua y seque con un paño limpio.

Las superficies deben limpiarse solamente con agua tibia y detergente no muy fuerte.

FIGURE 10



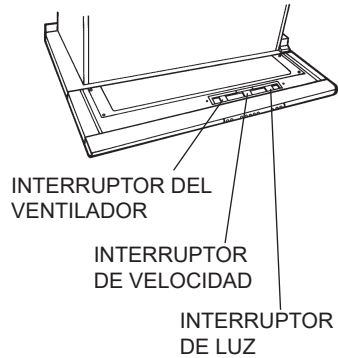
FUNCIONAMIENTO

- **Note: Evite utilizar productos que produzcan llamas debajo de la campana.**

Controles

1. Interruptor del ventilador
Posición izquierda (0) – se apaga el ventilador
Posición derecha (1) – el ventilador se enciende y apaga automáticamente al abrir y cerrar el mando de la riostra de la campana.
2. Interruptor de velocidad – Permite regular las velocidades de funcionamiento del ventilador.
3. Interruptor de Luz
Posición central (0) – se apaga la luz
Posición izquierda (AUT) – la luz se enciende y apaga automáticamente al abrir y cerrar el mando de la riostra de la campana.
Posición derecha (MAN) - luz ON/OFF.

FIGURE 11



LAMPARAS HALOGENAS

Este tipo de campana necesita dos (2) lámparas halógenas (Tipo T3, 12Volt, 20Watt max, G-4 Base).

- ⚠ **ATENCIÓN: antes de proceder a cualquier operación, es necesario desconectar el aparato.**

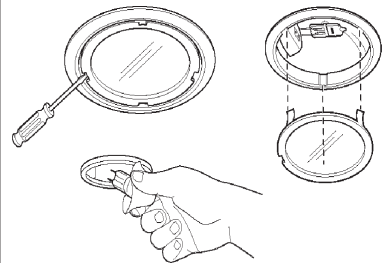
Para cambiar las lámparas:

1. Abra la tapa haciendo palanca sobre las hendiduras apropiadas. Fig. 12.
2. Quite la bombilla tirando de los lados. **(NO LA GIRE).**

- ⚠ **ATENCIÓN: las lámparas pueden estar calientes.**

3. Sustituir con lámparas del mismo tipo (T3, 12Volt, 20Watt max, G-4 base). No toque la lámpara de repuesto con las manos desnudas.

FIGURE 12



GARANTÍA

GARANTÍA DE DOS AÑOS DE LOS PRODUCTOS BROAN

Venmar Ventilation ULC (Venmar Ventilation) garantiza al consumidor-comprador de sus productos BROAN Elite que dichos productos no tendrán defectos en los materiales o fabricación, durante un periodo de dos años a partir de la fecha de la compra. NO HAY OTRO TIPO DE GARANTIAS QUE INCLUYAN O SE LIMITEN EXCLUSIVAMENTE A GARANTIAS IMPLICITAS O DE CAPACIDAD COMERCIAL O CONVENIENCIA PARA UN PROPOSITO ESPECIFICO.

Durante el periodo de dos años, Venmar Ventilation, si lo estima conveniente, reparará o reemplazará sin gastos para el usuario cualquier producto o parte de éste que sea defectuosos habiéndose usado correctamente.

ESTA GARANTIA NO CUBRE: ESTARTER DE NEON, NEON, LÁMPARAS HALÒGENAS, LÁMPARAS DE ILUMINACIÓN, FUSIBLE, FILTROS, CONDUCTOS, TAPAS DE TECHO, TAPAS DE PARED Y OTROS ACCESORIOS PARA LOS CONDUCTOS. Tampoco cubre el mantenimiento ni los productos o partes de éstos que hayan sido usados de forma incorrecta, con negligencia, rotos accidentalmente o por una incorrecta manutención ó reparación (distinta da la realizada por Venmar Ventilation), montaje incorrecto ó instalación que no se ajuste a las instrucciones de montaje indicadas.

La duración de la garantía se limita al periodo de dos años como está especificado en la garantía explicita. Algunas provincias no permiten un limite en la duración de la garantía implicita; si es asi en su caso, esta limitación arriba indicada podría no aplicarse.

LA PRESENTE GARANTIA CUBRIRA EXCLUSIVAMENTE AL COMPRADOR LOS SERVICIOS DESCRITOS ANTERIORMENTE. VENMAR VENTILATION NO SE HACE RESPONSABLE DE DANOS PRODUCIDOS DE MANERA ACCIDENTAL O RELACIONADOS CON EL USO INCORRECTO DEL PRODUCTO O SU FUNCIONAMIENTO.

Algunas provincias no permiten la exclusión o limitación de los daños producidos de manera accidental, si es así en su caso, esta limitación arriba indicada podría no aplicarse. Esta garantía le da derechos legales específicos y podría también disponer de otros derechos que varían de provincia a otra.

Esta garantía supera otras garantías dadas con anterioridad. Para disfrutar de la garantía usted deberá (a) Avisar a la dirección abajo indicada ó bien llamar por teléfono (b) Dar el número de serie del modelo correspondiente o bien una descripción de la parte averiada, (c) Descripción del defecto en el producto o bien en una de sus partes. Para requerir un servicio en garantía debe presentar el justificante con la fecha de la compra.

Venmar Ventilation ULC, 550 boul. Lemire, Drummondville, QC J2C 7W9
www.broan.ca 877-896-1119

SERVICE PARTS

E12000 Series

KEY NO.	PART NO.	DESCRIPTION
9	B08087508	No.1 Grease filter (for models E1230SS, E1230SSLS)
9	B08087584	No.1 Grease filter (for model E1224SSLS)
17	BE3353935	Halogen Lamp Support (for models E1230SS, E1230SSLS)
17	BE3353936	Halogen Lamp Support (for model E1224SSLS)
30	BE3351155	Control Cover (for models E1230SS, E1230SSLS)
30	BE3345920	Control Cover (for model E1224SSLS)
71	B03292230	Front Panel Right Side
72	B03292231	Front Panel Left Side
84	BE3400549	Visor Frame (for models E1230SS, E1230SSLS)
84	BE3403029	Visor Frame (for model E1224SSLS)
86	B08088370	Discharge collar (for models E1230SS, E1230SSLS)
86	B08088378	Discharge collar (for model E1224SSLS)
113	B02011314	Name Plate
130	B003102727	Front Panel (for models E1230SS, E1230SSLS)
130	B003102582	Front Panel (for model E1224SSLS)
165	B03295008	Motor Capacitor Box
208	B02300861	Transformer
233	B03294740	Closure
274	B03295035	Junction Clamp Box
309	B03293408	Wall Spacer (for models E1230SS, E1230SSLS)
309	B03292369	Wall Spacer (for model E1224SSLS)
353	BE3400544	Drawer (for models E1230SS, E1230SSLS)
353	BE3403028	Drawer (for model E1224SSLS)
472	B08091677	Right Bracket
473	B08091678	Left Bracket
474	B02300806	Halogen Lamp Housing
476	B03294186	Spacer Panel
477	B03294748	Upper Closure
998	B080810871	Hardware Package
ACF	B06103983	Motor Capacitor Assembly
AQI	B06103973	Switch Box Assembly
AMF	B06103750	Limit Switch Assembly
CAS	B06002013U	Blower Assembly (For model E1224SSLS, E1230SS LS)
CAS	B06002157U	Blower Assembly (For model E1230SS)
SAA	B06103751	Power Assembly
SGD	B08091684	Assembly Right Drawer Slide
SGS	B08091774	Assembly Left Drawer Slide
**	FILTEREB40	Charcoal filter replacement pack (2 filters included)

** Not shown.

PIECES DE RECHANGE

Série E12000

REPÈRE	N° de PIÈCE	DESCRIPTION
9	B08087508	N°1 Filtre à graisse (modèles E1230SS, E1230SSLS)
9	B08087584	N°1 Filtre à graisse (modèle E1224SSLS)
17	BE3353935	Support de lampe halogène (modèles E1230SS, E1230SSLS)
17	BE3353936	Support de lampe halogène (modèle E1224SSLS)
30	BE3351155	Couvercle de commandes (modèles E1230SS, E1230SSLS)
30	BE3345920	Couvercle de commandes (modèle E1224SSLS)
71	B03292230	Embout droit du panneau avant
72	B03292231	Embout gauche panneau avant
84	BE3400549	Cadre de visière (modèles E1230SS, E1230SSLS)
84	BE3403029	Cadre de visière (modèle E1224SSLS)
86	B08088370	Collier d'évacuation (modèles E1230SS, E1230SSLS)
86	B08088378	Collier d'évacuation (modèle E1224SSLS)
113	B02011314	Logo
130	B003102727	Panneau avant (modèles E1230SS, E1230SSLS)
130	B003102582	Panneau avant (modèle E1224SSLS)
165	B03295008	Boîte du condensateur de moteur
208	B02300861	Transformateur
233	B03294740	Embout
274	B03295035	Boîte du bornier
309	B03293408	Barre entretoise (modèles E1230SS, E1230SSLS)
309	B03292369	Barre entretoise (modèle E1224SSLS)
353	BE3400544	Visière coulissante (modèles E1230SS, E1230SSLS)
353	BE3403028	Visière coulissante (modèle E1224SSLS)
472	B08091677	Bride de montage droite
473	B08091678	Bride de montage gauche
474	B02300806	Lampe halogène
476	B03294186	Entretoise
477	B03294748	Embout supérieur
998	B080810871	Quincaillerie
ACF	B06103983	Ensemble condensateur
AQI	B06103973	Ensemble commandes
AMF	B06103750	Ensemble interrupteur de fin de course
CAS	B06002013U	Ensemble ventilateur (modèles E1224SSLS, E1230SS LS)
CAS	B06002157U	Ensemble ventilateur (modèle E1230SS)
SAA	B06103751	Ensemble alimentation
SGD	B08091684	Ensemble glissière de visière droite
SGS	B08091774	Ensemble glissière de visière gauche
**	FILTEREB40	Ensemble de rechange de filtres à charbon (2 filtres inclus)

** Non illustré

PIEZAS DE REPUESTO

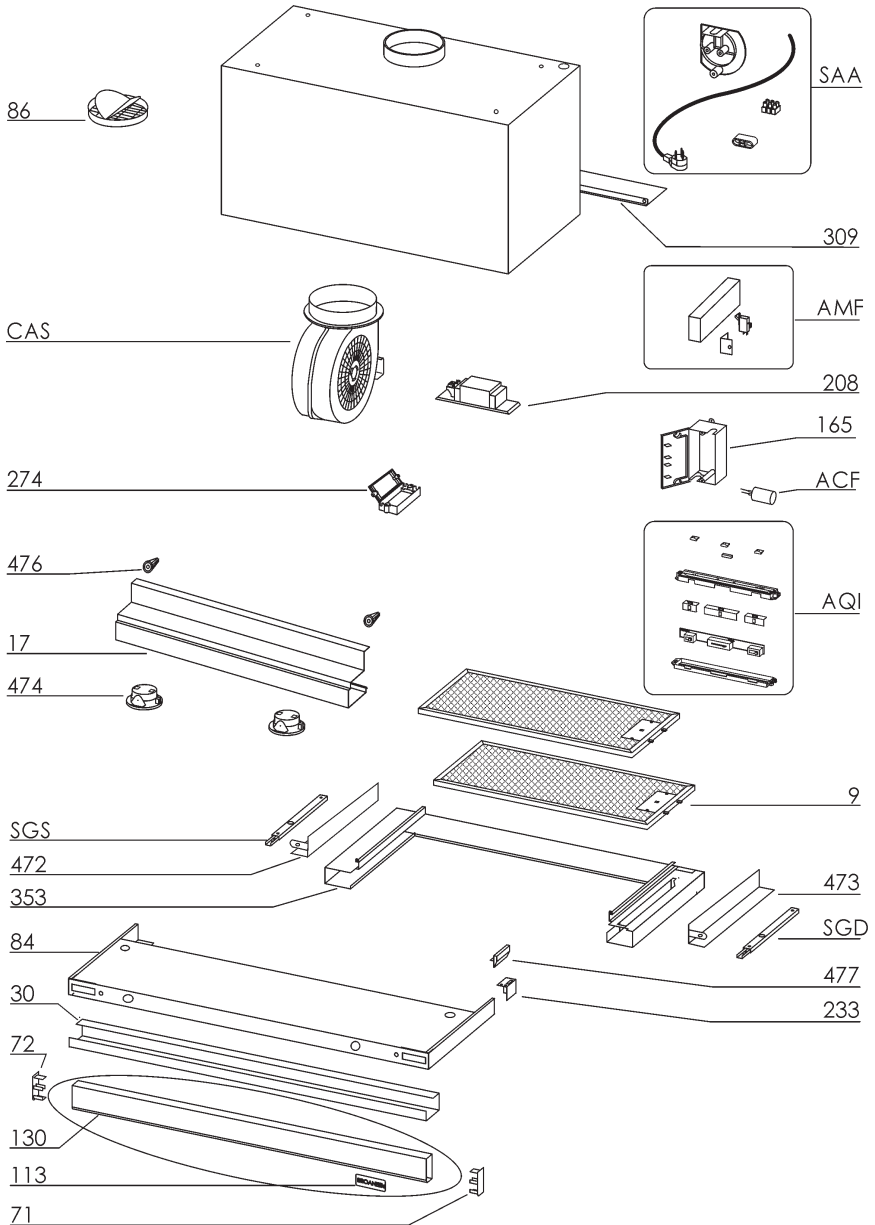
Série E12000

CLAVE N.º	PIEZA N.º	DESCRIPCIÓN
9	B08087508	Nº1 Filtro de grasa (modelos E1230SS, E1230SSLS)
9	B08087584	Nº1 Filtro de grasa (modelo E1224SSLS)
17	BE3353935	Cuello soporte lámpara halógena (modelos E1230SS, E1230SSLS)
17	BE3353936	Cuello soporte lámpara halógena (modelo E1224SSLS)
30	BE3351155	Cubierta de control (modelos E1230SS, E1230SSLS)
30	BE3345920	Cubierta de control (modelo E1224SSLS)
71	B03292230	Cierre derecho panel frontal
72	B03292231	Cierre izquierdo panel frontal
84	BE3400549	Bastidor del visor (modelos E1230SS, E1230SSLS)
84	BE3403029	Bastidor del visor (modelo E1224SSLS)
86	B08088370	Casquillo (modelos E1230SS, E1230SSLS)
86	B08088378	Casquillo (modelo E1224SSLS)
113	B02011314	Etiqueta logo
130	B003102727	Panel frontal (modelos E1230SS, E1230SSLS)
130	B003102582	Panel frontal (modelo E1224SSLS)
165	B03295008	Caja de capacitador de motor
208	B02300861	Trasformador
233	B03294740	Cierre
274	B03295035	Caja terminal
309	B03293408	Separador de pared (modelos E1230SS, E1230SSLS)
309	B03292369	Separador de pared (modelo E1224SSLS)
353	BE3400544	Cajón (modelos E1230SS, E1230SSLS)
353	BE3403028	Cajón (modelo E1224SSLS)
472	B08091677	Soporte derecho
473	B08091678	Soporte izquierdo
474	B02300806	Lámpara halógena
476	B03294186	Panel separador
477	B03294748	Cierre superior
998	B080810871	Paquete de herraje
ACF	B06103983	Conjunto capacitor del motor
AQI	B06103973	Conjunto mandos
AMF	B06103750	Conjunto interruptor limitador
CAS	B06002013U	Conjunto del ventilador (modelos E1224SSLS, E1230SS LS)
CAS	B06002157U	Conjunto del ventilador (modelo E1230SS)
SAA	B06103751	Conjunto alimentación
SGD	B08091684	Conjunto deslizador del cajón derecho
SGS	B08091774	Conjunto deslizador del cajón izquierdo
**	FILTEREB40	Conjunto filtros al carbón (incluye 2 filtros)

** No se muestra.

SERVICE PARTS

E12000 Series



0430xxxx